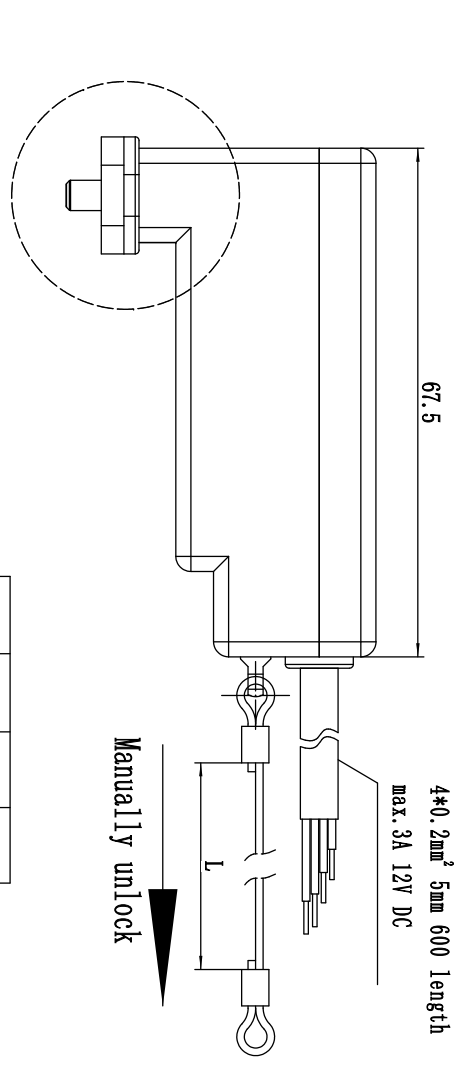
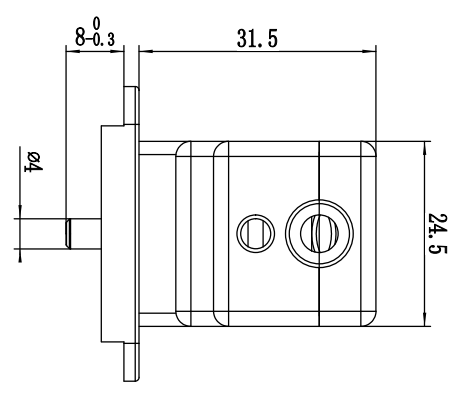
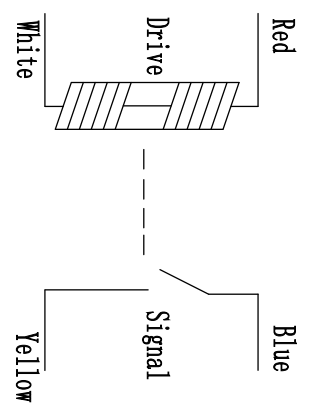


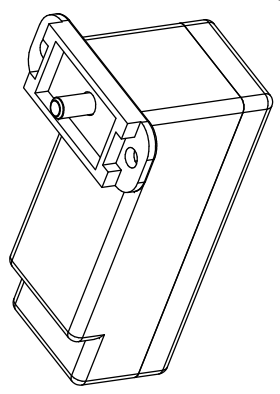
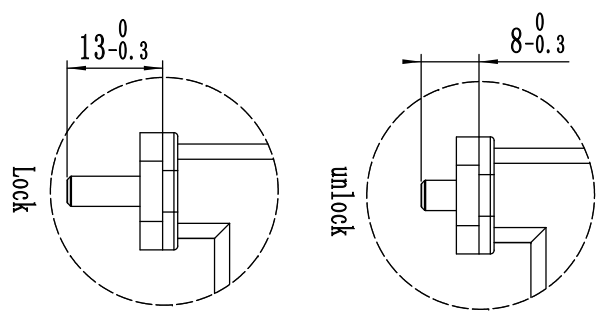
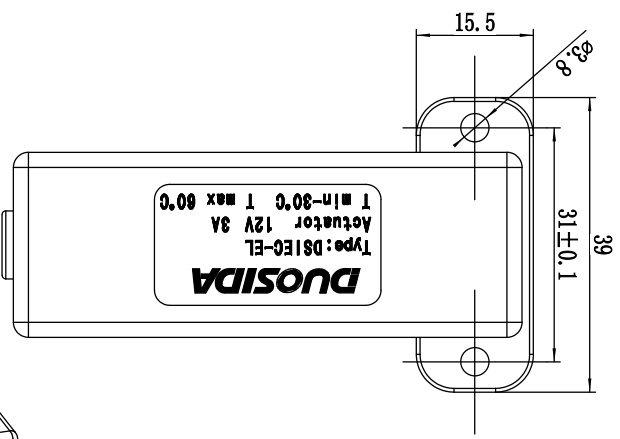
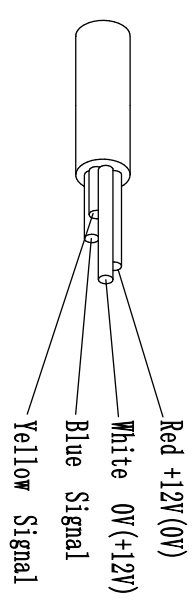
版本号 Ver	更改通知单号 ECN	更改标记 MARK	描述 DESCRIPTION	日期 DATE	签字 APP	校对 CHK
---------	------------	-----------	----------------	---------	--------	--------



Manually unlock



PIN 1	PIN 2	PIN 3	PIN 4
White	Blue	Red	Yellow



Line color	Actuator (Magnet)	Position control (Micro Switch)
Lock	Red +12V	Blue Closure
Unlock	0V	Yellow Disconnect
Maximum current	Connect: 3A Continuous: 0A	0.1A
Rated voltage	(Operating Voltage<30V)	(Operating Voltage<250V)
Withstand voltage	600 VDC	2500 VDC

Activation time<300ms Continuous power supply 3second Max
Working environment -30°Cto+50°C

1 2 3 4 5 6

D C B A