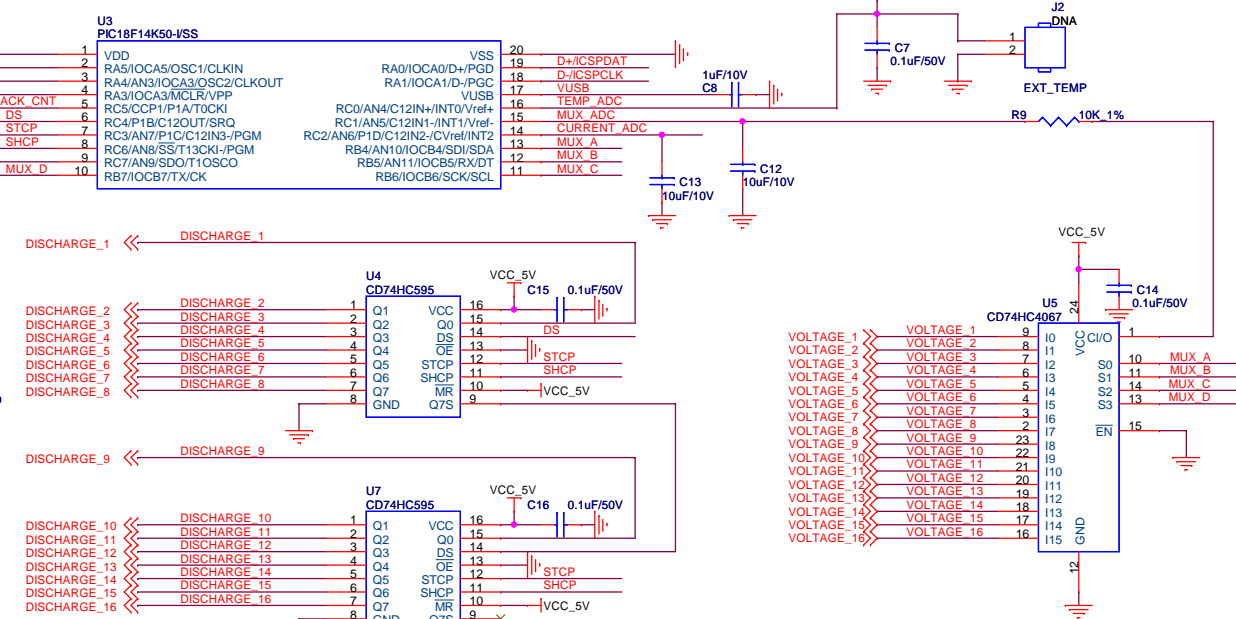
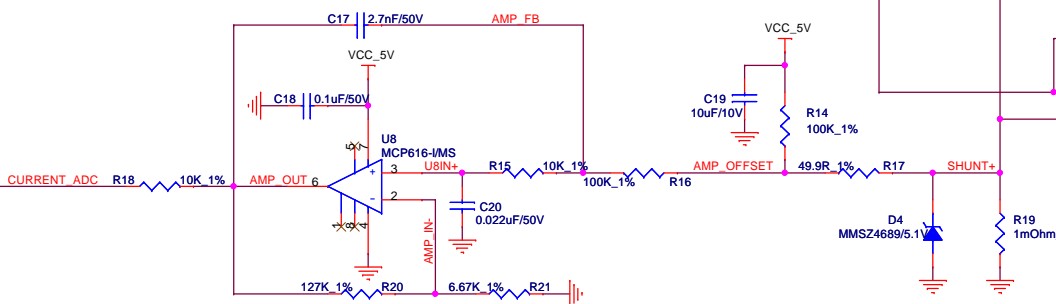
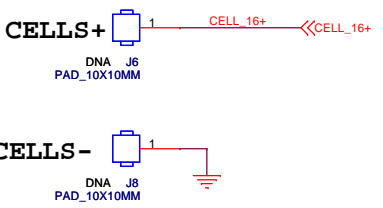
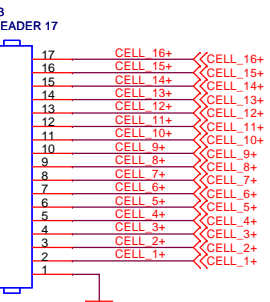


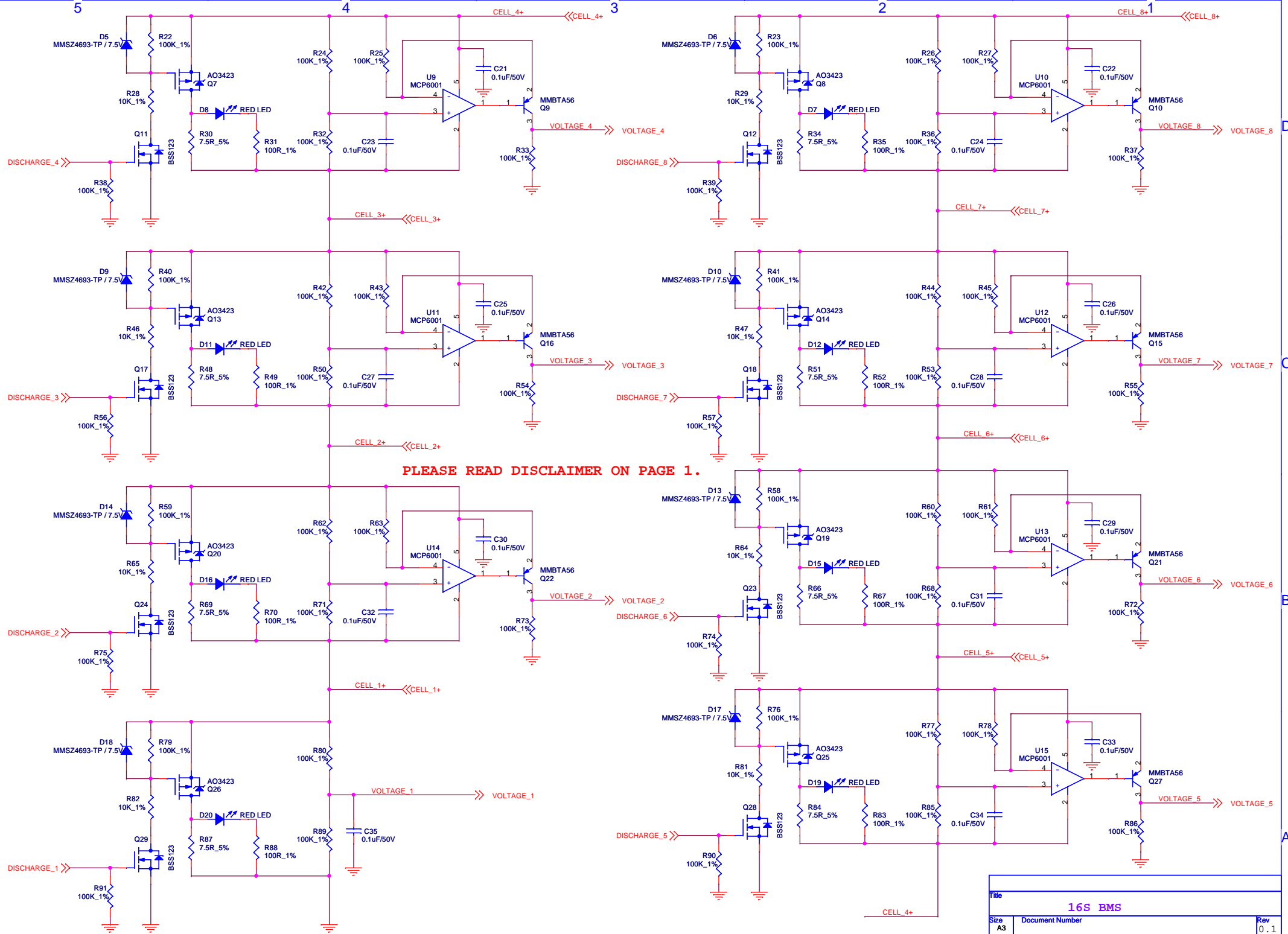
Ballance Conn.



READ THIS FIRST!!!!

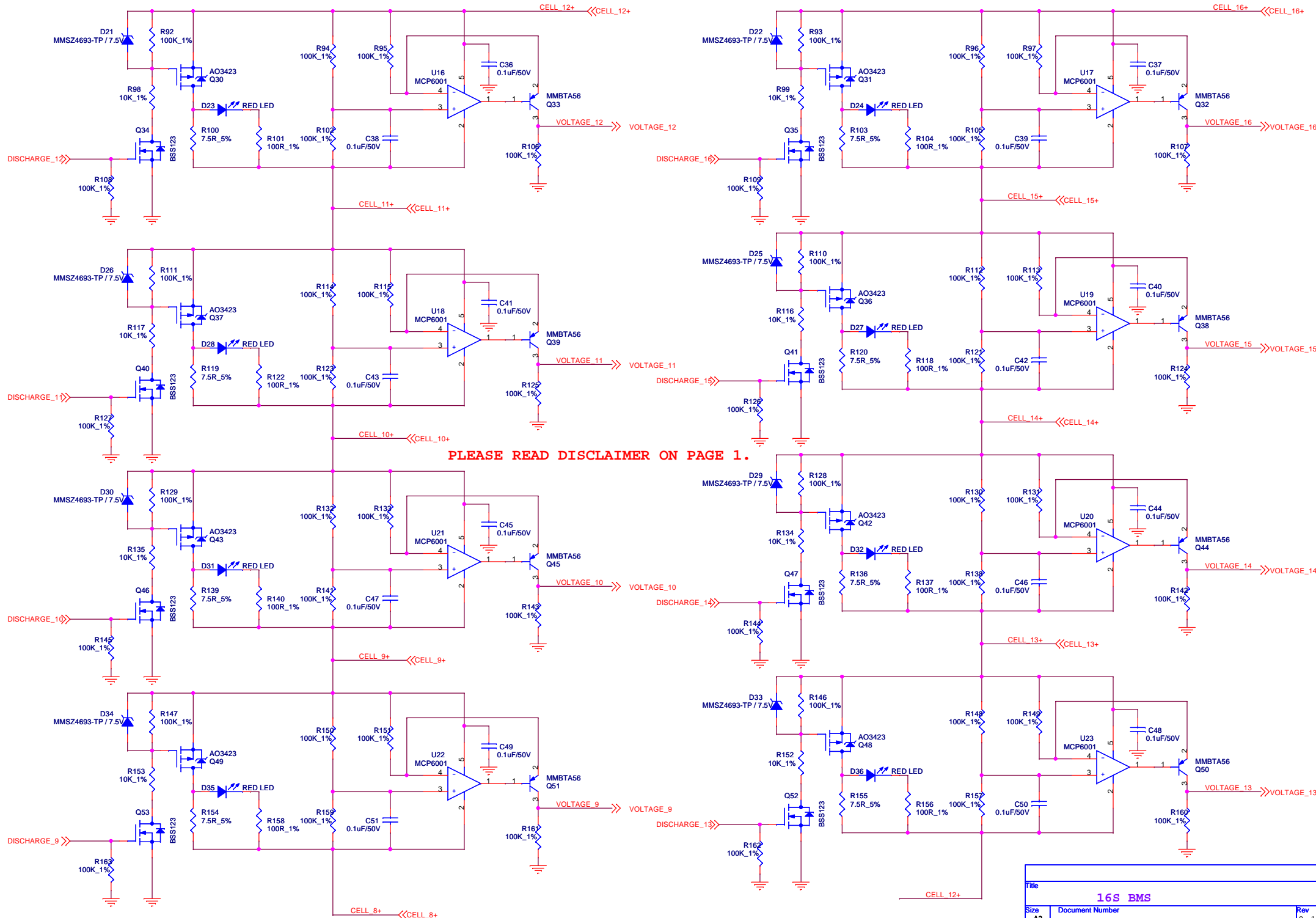
-----DISCLAIMER-----
 NOT FOR COMMERCIAL USE
 This is an initial design and it has not been tested or verified.
 Use it at your own risk.
 I do not take any responsibility for it.
 Beware!!! Improper use of batteries may cause them to fail or catch fire that may lead to property damage or serious body injury.

Title		16S BMS	
Size	A3	Document Number	
Date:		Sheet	1 of 3
		Rev	0.1



PLEASE READ DISCLAIMER ON PAGE 1.

Title		
16S BMS		
Size	Document Number	Rev
A3		0.1
Date:	Sheet	2 of 3



Title		
16S BMS		
Size	Document Number	Rev
A3		0.1
Date:	Sheet	3 of 3